

CANTO is the trusted name in modern follow spots. Bright, modular, and ease of use are the trademarks of this economical line of units that can go anywhere and perform multiple tasks. The Italian design is simple and elegant with ergonomic handling and easy to understand labeling. It's all-in-one ordering system guarantees that the unit is delivered with everything needed to plug the fixture into the wall and begin your show. Canto followspots are great for schools, universities, professional theater, touring and houses of worship.

Whats in the Box

- Follow Spot Fixture
- Douser Iris
- Iris
- Lamp
- HD Bearing Head Tripod
- 7 Color Boomerang
- Electronic Power Supply
- Head Cable
- Power Cable
- Edison 520 Power Connector
- 7.25" Round Gel Pack (5 Colors)
- High Definition Optical Tray
- Assurance that it works!

Accessories/Options

- Spare Iris Diaphragm
- Gobo Holder (A or B)
- Spare 7 Color Boomerang
- Black Stand Tripod
- One Handed Iris/Douser Controller
- Custom Flight Case
- Custom Permanent Floor Stand
- Truss Mount Pan Bearing Adaptor
- TelRad
- Shutter Blades

Unit Stats

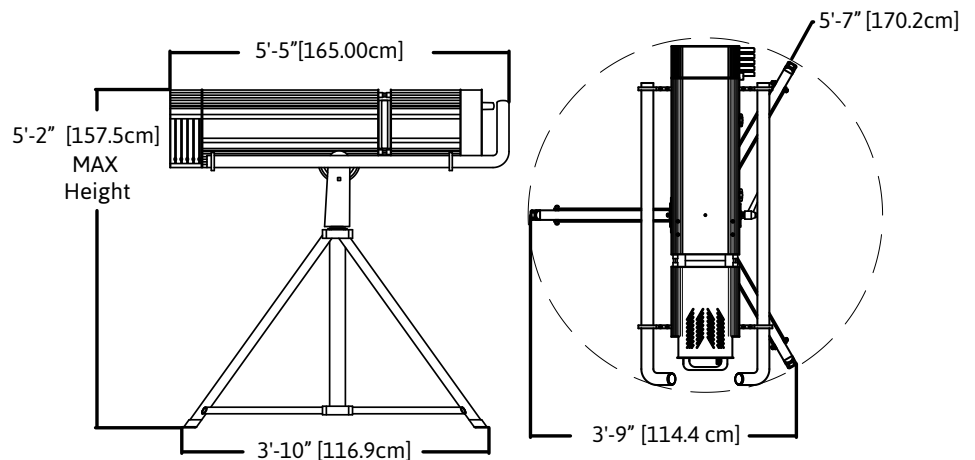
- Double Condenser+ Zoom
- 68MM Glass Reflector
- Quick Installation Lamp
- External PFC Ballast
- 4° to 8° Zoom
- 208V-240V
- Head 76 lbs.
- Ballast 18 lbs.



Lamp Types

Philips msr	PGJX50	6000K	750 Hours
1200 Watt MSR Gold Fast Fit	286880	6000K	750 Hours

Dimensions



Photometrics Foot Candles/Ft

Coming Soon!
Acceptable range 60' to 300'

Photometrics Lux/M

Coming Soon!
Acceptable range 20M to 95M

- * Photometrics are an average of 3 readings taken in a real world small theater application.
- * Light readings measured with a Sekonic C-700 U Spectromaster Color Meter.
- * Measurements were taken with a new fixture.