

CANTO is the trusted name in modern follow spots. Bright, modular, and ease of use are the trademarks of this economical line of units that can go anywhere and perform multiple tasks. The Italian design is simple and elegant with ergonomic handling and easy to understand labeling. It's all-in-one ordering system guarantees that the unit is delivered with everything needed to plug the fixture into the wall and begin your show. Canto followspots are great for schools, universities, professional theater, touring and houses of worship.

## Whats in the Box

- Follow Spot Fixture
- Electronic Dimmer
- Iris
- Tripod Stand
- RGBW LED Engine
- Electronic Power Supply
- Power Cable
- 15 Amp Edison
- 28mm Spigot
- Color Control by Android or IOS mobile device connected to proprietary Wi-Fi access point (1 device only, 36 ft range) or remote DMX512/RDM interface.
- USB port supplied to recharge your mobile device while operating the followspot.
- Assurance that it works!

## Accessories/Options

- Spare Iris Diaphragm
- Gobo Holder (A or B)
- Black Stand Tripod
- Tripod Casters
- Custom Flight Case
- Custom Permanent Floor Stand
- Truss Mount Pan Bearing Adaptor
- Over Hung Yoke
- 28mm Spigot
- TelRad
- Shutter Blades
- Professional Tripod Stand

## Unit Stats

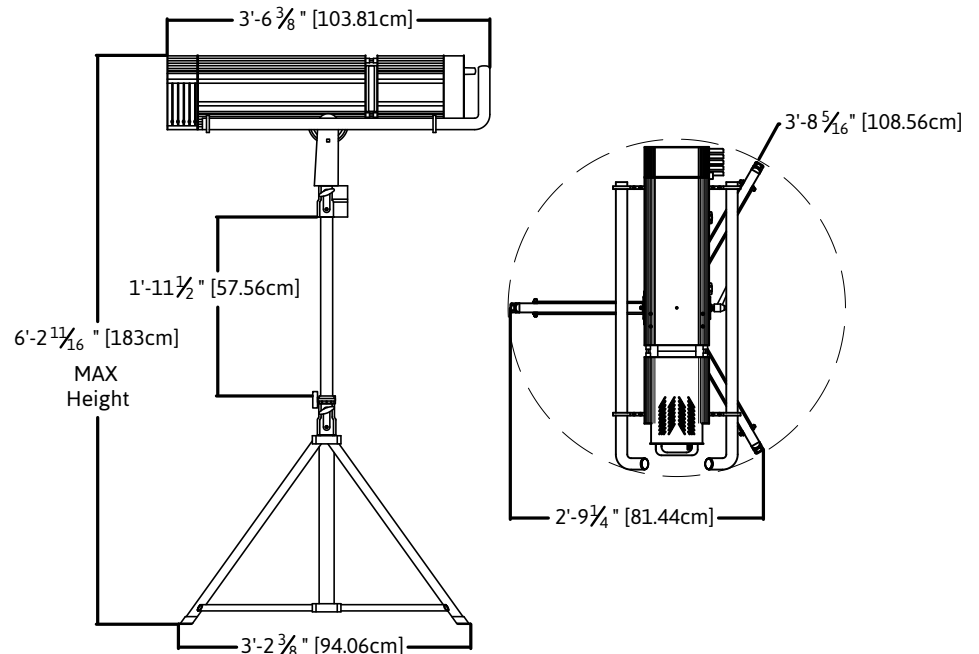
- Double Condenser+ Zoom
- 68MM Glass Reflector
- Internal Ballast
- 8° to 22° Zoom
- 100V-260V
- 2.34 Amps
- Head 44 lbs.



## Lamp Types

RGBW LED	5600K or 3200	50000 Hours
----------	---------------	-------------

## Dimensions



**Photometrics Foot Candles/Ft**

**Coming Soon!**  
Acceptable range 20' to 60'

**Photometrics Lux/M**

**Coming Soon!**  
Acceptable range 6 M to 18M

- \* Photometrics are an average of 3 readings taken in a real world small theater application.
- \* Light readings measured with a Sekonic C-700 U Spectromaster Color Meter.
- \* Measurements were taken with a new fixture.