



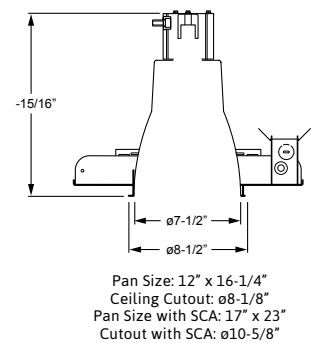
Features

- Deep socket reflector reduces lamp glare while allowing optimal light output with reflector style lamps.
- Rigid, one-piece pan construction with adjustable hanger brackets ensures years of worry-free performance.
- Self-flanged aluminum reflector prevents light leaks and is available in assorted colors.
- Finned, extruded aluminum heat sink socket housing dissipates heat for cooler operation.
- Sturdy one-piece pan construction.
- Adjustable hanger brackets with bar hangers standard.
- Easy-access, 14-gauge galvanized steel junction box with two snap-on covers.
- This fixture is proudly made in the USA.

Specifications

- Housing – 20-gauge, die-formed, galvanized steel pan/plaster frame.
- Interior Housing – Low-iridescent aluminum. Clear semi-specular (CS) finish standard.
- Electrical – Porcelain socket. Thermally protected. Prewired at factory for easy field installation.
- Mounting – Recessed.
- Labels –
 - UL/CUL listed for through-branch circuit wiring and dry or damp locations.
 - UL/CUL listed for wet location under covered ceiling when specified with /CGS, /CPG, or /FF option.
 - City of Chicago Environmental Air approved when specified with CP option.
- Warranty – 5-year limited warranty

Dimensions



Please refer to the RETRO-Classic™ and RETRO-Passive™ information sheets for photometric data.